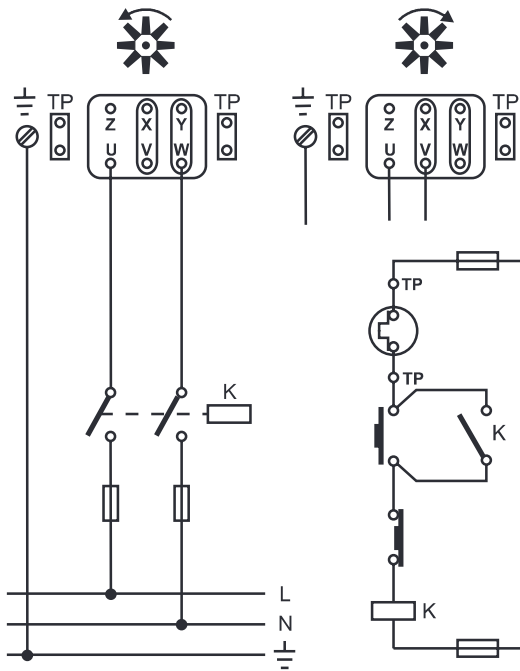
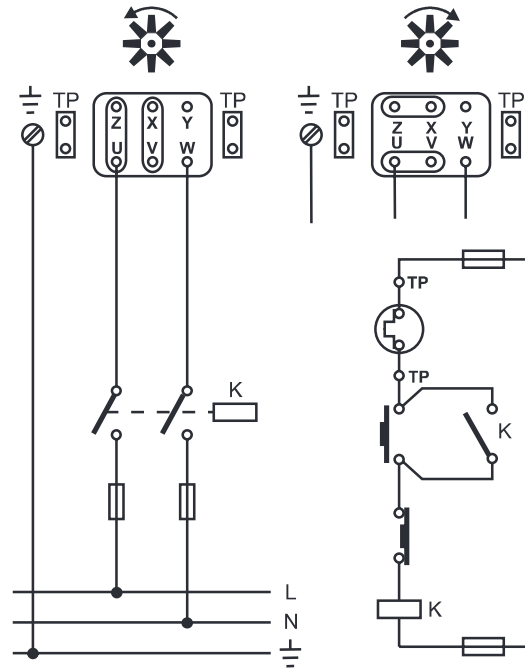


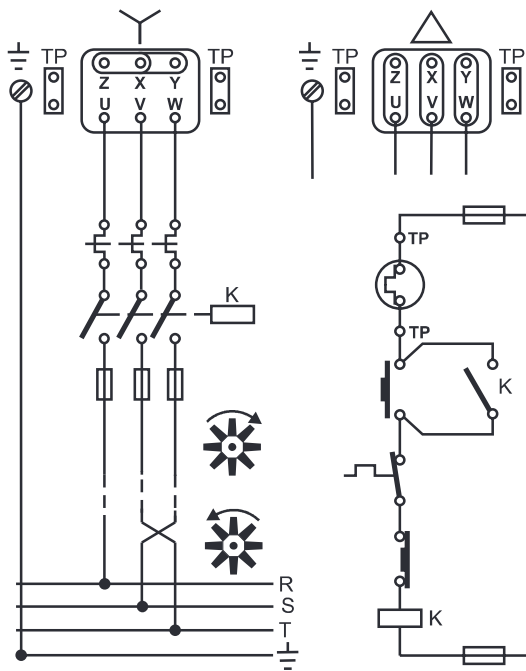
COMPACT 1~ Ø250, 315, 355, 400



COMPACT 1~ Ø450, 500, 560, 630, 710

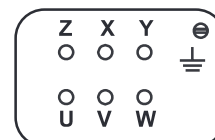
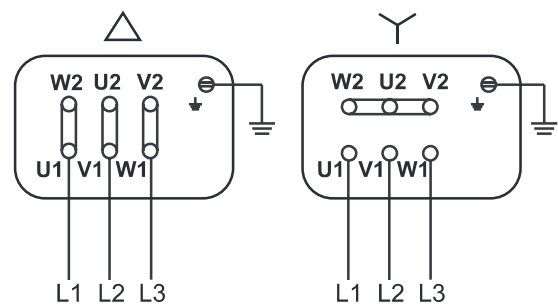


COMPACT 3~



COMPACT 3~ STANDARD MOTOR

Ø710, 800, 900, 1000



Tambien posible
Also possible
Aussi possible